



HS Series

POWERED STUDIO MONITOR

HS8 / HS7 / HS5
HS8I / HS7I / HS5I

POWERED SUBWOOFER

HS8S

Owner's Manual
Bedienungsanleitung
Mode d'emploi
Manual de instrucciones
Manual do Proprietário
Manuale di istruzioni
Руководство пользователя
取扱説明書

POWERED SPEAKER SYSTEM

English

Deutsch

Français

Español

Português

Italiano

Русский

日本語

EN

DE

FR

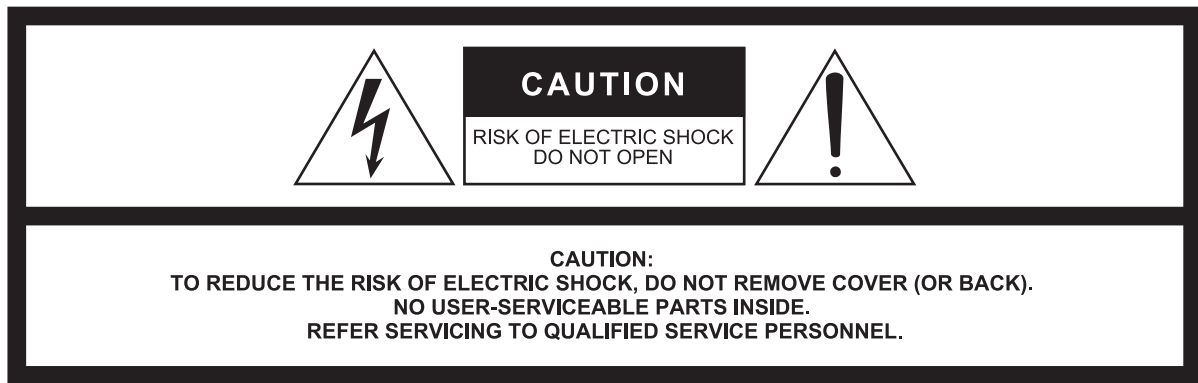
ES

PT

IT

RU

JA



The above warning is located on the rear of the unit.
L'avertissement ci-dessus est situé sur l'arrière de l'unité.

Explanation of Graphical Symbols Explication des symboles



The lightning flash with arrowhead symbol within an equilateral triangle is intended to alert the user to the presence of uninsulated "dangerous voltage" within the product's enclosure that may be of sufficient magnitude to constitute a risk of electric shock to persons.

L'éclair avec une flèche à l'intérieur d'un triangle équilatéral est destiné à attirer l'attention de l'utilisateur sur la présence d'une « tension dangereuse » non isolée à l'intérieur de l'appareil, pouvant être suffisamment élevée pour constituer un risque d'électrocution.



The exclamation point within an equilateral triangle is intended to alert the user to the presence of important operating and maintenance (servicing) instructions in the literature accompanying the product.

Le point d'exclamation à l'intérieur d'un triangle équilatéral est destiné à attirer l'attention de l'utilisateur sur la présence d'instructions importantes sur l'emploi ou la maintenance (réparation) de l'appareil dans la documentation fournie.

IMPORTANT SAFETY INSTRUCTIONS

- 1 Read these instructions.
- 2 Keep these instructions.
- 3 Heed all warnings.
- 4 Follow all instructions.
- 5 Do not use this apparatus near water.
- 6 Clean only with dry cloth.
- 7 Do not block any ventilation openings. Install in accordance with the manufacturer's instructions.
- 8 Do not install near any heat sources such as radiators, heat registers, stoves, or other apparatus (including amplifiers) that produce heat.
- 9 Do not defeat the safety purpose of the polarized or grounding-type plug. A polarized plug has two blades with one wider than the other. A grounding type plug has two blades and a third grounding prong. The wide blade or the third prong are provided for your safety. If the provided plug does not fit into your outlet, consult an electrician for replacement of the obsolete outlet.
- 10 Protect the power cord from being walked on or pinched particularly at plugs, convenience receptacles, and the point where they exit from the apparatus.
- 11 Only use attachments/accessories specified by the manufacturer.
- 12 Use only with the cart, stand, tripod, bracket, or table specified by the manufacturer, or sold with the apparatus. When a cart is used, use caution when moving the cart/apparatus combination to avoid injury from tip-over.
- 13 Unplug this apparatus during lightning storms or when unused for long periods of time.
- 14 Refer all servicing to qualified service personnel. Servicing is required when the apparatus has been damaged in any way, such as power-supply cord or plug is damaged, liquid has been spilled or objects have fallen into the apparatus, the apparatus has been exposed to rain or moisture, does not operate normally, or has been dropped.



WARNING

TO REDUCE THE RISK OF FIRE OR ELECTRIC SHOCK, DO NOT EXPOSE THIS APPARATUS TO RAIN OR MOISTURE.

(UL60065_03)

PRÉCAUTIONS CONCERNANT LA SÉCURITÉ

- 1 Lire ces instructions.
- 2 Conserver ces instructions.
- 3 Tenir compte de tous les avertissements.
- 4 Suivre toutes les instructions.
- 5 Ne pas utiliser ce produit à proximité d'eau.
- 6 Nettoyer uniquement avec un chiffon propre et sec.
- 7 Ne pas bloquer les orifices de ventilation. Installer l'appareil conformément aux instructions du fabricant.
- 8 Ne pas installer l'appareil à proximité d'une source de chaleur comme un radiateur, une bouche de chaleur, un poêle ou tout autre appareil (y compris un amplificateur) produisant de la chaleur.
- 9 Ne pas modifier le système de sécurité de la fiche polarisée ou de la fiche de terre. Une fiche polarisée dispose de deux broches dont une est plus large que l'autre. Une fiche de terre dispose de deux broches et d'une troisième pour le raccordement à la terre. Cette broche plus large ou cette troisième broche est destinée à assurer la sécurité de l'utilisateur. Si la fiche équipant l'appareil n'est pas compatible avec les prises de courant disponibles, faire remplacer les prises par un électricien.
- 10 Acheminer les cordons d'alimentation de sorte qu'ils ne soient pas piétinés ni coincés, en faisant tout spécialement attention aux fiches, prises de courant et au point de sortie de l'appareil.
- 11 Utiliser exclusivement les fixations et accessoires spécifiés par le fabricant.
- 12 Utiliser exclusivement le chariot, le stand, le trépied, le support ou la table recommandés par le fabricant ou vendus avec cet appareil. Si l'appareil est posé sur un chariot, déplacer le chariot avec précaution pour éviter tout risque de chute et de blessure.
- 13 Débrancher l'appareil en cas d'orage ou lorsqu'il doit rester hors service pendant une période prolongée.
- 14 Confier toute réparation à un personnel qualifié. Faire réparer l'appareil s'il a subi tout dommage, par exemple si la fiche ou le cordon d'alimentation est endommagé, si du liquide a coulé ou des objets sont tombés à l'intérieur de l'appareil, si l'appareil a été exposé à la pluie ou à de l'humidité, si l'appareil ne fonctionne pas normalement ou est tombé.



AVERTISSEMENT

POUR RÉDUIRE LES RISQUES D'INCENDIE OU DE DÉCHARGE ÉLECTRIQUE, N'EXPOSEZ PAS CET APPAREIL À LA PLUIE OU À L'HUMIDITÉ.

(UL60065_03)

Contents

Features	3
Included Items (please check)	3
PRECAUTIONS	4
NOTICE	5
Rear Panel	6
Setup	8
Troubleshooting	12
Specifications	89
Dimensions	89
Performance Graph	90
Block Diagram	90
Tilt Angle (HS8I/HS7I/HS5I only)	91

Thank you for choosing a Yamaha powered monitor speaker or powered subwoofer. In order to take maximum advantage of the speaker's features and ensure maximum performance and longevity, please read this manual carefully before using powered monitor speaker or powered subwoofer. Keep the manual in a safe place for future reference.

- The illustrations as shown in this manual are for instructional purposes only.
- The company names and product names in this manual are the trademarks or registered trademarks of their respective companies.
- In this manual (unless indicated otherwise), "HS8" refers to both the HS8 and HS8I, "HS7" refers to the HS7 and HS7I and "HS5" refers to the HS5 and HS5I.

Features

- Accurate, detailed reproduction of the source.
- A choice of three full-range models plus one high-performance subwoofer makes it easy to create systems that are ideally matched to any monitoring environment.
- Simple 2-way design in the full-range models, with optimally matched high and low frequency units.
- Response-tailoring controls match speaker output to a wide range of acoustic spaces.
- In addition to studio standard XLR connectors, phone jacks allow direct connection of electronic musical instruments and other sources.

Included Items (please check)

- **Power cord**
- **Screws for bracket installation (2; HS8I/HS7I/HS5I only)**
- **Owner's Manual (this book)**

Optional Items

For HS8I/HS7I

- Baton bracket BBS251
- Ceiling bracket BCS251
- Wall bracket BWS251
- Wall bracket / ceiling bracket BWS50

For HS5I

- Wall bracket / ceiling bracket BWS20
- Ceiling bracket BCS20

PRECAUTIONS

PLEASE READ CAREFULLY BEFORE PROCEEDING

Please keep this manual in a safe place for future reference.

WARNING

Always follow the basic precautions listed below to avoid the possibility of serious injury or even death from electrical shock, short-circuiting, damages, fire or other hazards. These precautions include, but are not limited to, the following:

Power supply/power cord

- Do not place the power cord near heat sources such as heaters or radiators, and do not excessively bend or otherwise damage the cord, place heavy objects on it, or place it in a position where anyone could walk on, trip over, or roll anything over it.
- Only use the voltage specified as correct for the device. The required voltage is printed on the name plate of the device.
- Use only the supplied power cord/plug.
- Check the electric plug periodically and remove any dirt or dust which may have accumulated on it.
- When setting up the device, make sure that the AC outlet you are using is easily accessible. If some trouble or malfunction occurs, immediately turn off the power switch and disconnect the plug from the outlet. Even when the power switch is turned off, as long as the power cord is not unplugged from the wall AC outlet, the device will not be disconnected from the power source.
- Remove the electric plug from the outlet when the device is not to be used for extended periods of time, or during electrical storms.
- Be sure to connect to an appropriate outlet with a protective grounding connection.

Do not open

- This device contains no user-serviceable parts. Do not open the device or attempt to disassemble the internal parts or modify them in any way. If it should appear to be malfunctioning, discontinue use immediately and have it inspected by qualified Yamaha service personnel.

Water warning

- Do not expose the device to rain, use it near water or in damp or wet conditions, or place on it any containers (such as vases, bottles or glasses) containing liquids which might spill into any openings. If any liquid such as water seeps into the device, turn off the power immediately and unplug the power cord from the AC outlet. Then have the device inspected by qualified Yamaha service personnel.
- Never insert or remove an electric plug with wet hands.

Hearing loss

- Do not use the device for a long period of time at a high or uncomfortable volume level, since this can cause permanent hearing loss. If you experience any hearing loss or ringing in the ears, consult a physician.
- When turning on the AC power in your audio system, always turn on the device LAST, to avoid hearing loss and speaker damage. When turning the power off, the device should be turned off FIRST for the same reason.

Fire warning

- Do not place any burning items or open flames near the device, since they may cause a fire.

If you notice any abnormality

- If any of the following problems occur, immediately turn off the power switch and disconnect the electric plug from the outlet.
 - The power cord or plug becomes frayed or damaged.
 - Unusual smells or smoke are emitted.
 - Some object has been dropped into the device.
 - There is a sudden loss of sound during use of the device.
 - Cracks or other visible damage appear on the device.
 Then have the device inspected or repaired by qualified Yamaha service personnel.

- If this device should be dropped or damaged, immediately turn off the power switch, disconnect the electric plug from the outlet, and have the device inspected by qualified Yamaha service personnel.

CAUTION

Always follow the basic precautions listed below to avoid the possibility of physical injury to you or others, or damage to the device or other property. These precautions include, but are not limited to, the following:

Power supply/power cord

- When removing the electric plug from the device or an outlet, always hold the plug itself and not the cord. Pulling by the cord can damage it.

Location

- Do not place the device in an unstable position where it might accidentally fall over and cause injuries.
- When installing the device:
 - Do not cover it with any cloth.
 - Do not install it on a carpet or rug.
 - Make sure the top surface faces up; do not install on its sides or upside down.
 - Do not use the device in a confined, poorly-ventilated location. Inadequate ventilation can result in overheating, possibly causing damage to the device(s), or even fire. Make sure that there is adequate space around the device: at least 20cm above, 20cm at the sides and 20cm behind.
- Do not press the rear panel of the device against the wall. Doing so may cause the plug to come in contact with the wall and detach from the power cord, resulting in short circuiting, malfunction, or even fire.
- Do not place the device in a location where it may come into contact with corrosive gases or salt air. Doing so may result in malfunction.
- Before moving the device, remove all connected cables.
- (HS8I/HS7I/HS5I only)
 - Any necessary construction work should be performed in accordance with construction-related regulations, and done always by a trained professional. If the device installation requires construction work, make sure to observe the following precautions.
 - Choose mounting hardware and an installation location that can support the weight of the device.
 - Avoid locations that are exposed to constant vibration.
 - Use the required tools to install the device.
 - Inspect the device periodically.

Connections

- Before connecting the device to other devices, turn off the power for all devices. Also, before turning the power of all devices on or off, make sure that all volume levels are set to the minimum. Failing to do so may result in electric shock, hearing loss, or equipment damage.

Maintenance

- Remove the power plug from the AC outlet when cleaning the device.

Handling caution

- Do not insert your fingers or hands in any gaps or openings on the device (ports).
- Avoid inserting or dropping foreign objects (paper, plastic, metal, etc.) into any gaps or openings on the device (ports). If this happens, immediately turn off the power, unplug the power cord from the AC outlet, and have the device inspected by qualified Yamaha service personnel.
- Do not rest your weight on the device or place heavy objects on it, and avoid use excessive force on the buttons, switches or connectors to prevent injuries.
- Do not operate the device if the sound is distorting. Prolonged use in this condition could cause overheating and result in fire.
- Avoid pulling the connected cables to prevent injuries.

Yamaha cannot be held responsible for damage caused by improper use or modifications to the device.

In Finland: Laite on liitettävä suojamaadoituskoskettimilla varustettuun pistorasiaan.

In Norway: Apparatet må tilkoples jordet stikkontakt.

In Sweden: Apparatens skall anslutas till jordat uttag.

(class I hokuo)

NOTICE

To avoid the possibility of malfunction/ damage to the product, damage to data, or damage to other property, follow the notices below.

■ Handling and maintenance

- Do not use the device in the vicinity of a TV, radio, AV equipment, mobile phone, or other electric devices. Otherwise, the device, TV, or radio may generate noise.
- Do not expose the device to excessive dust or vibration, or extreme cold or heat (such as in direct sunlight, near a heater, or in a car during the day), in order to prevent the possibility of panel disfiguration, unstable operation, or damage to the internal components.
- Do not place vinyl, plastic or rubber objects on the device, since this might discolor the panel.
- When cleaning the device, use a dry and soft cloth. Do not use paint thinners, solvents, cleaning fluids, or chemical-impregnated wiping cloths.
- Condensation can occur in the device due to rapid, drastic changes in ambient temperature—when the device is moved from one location to another, or air conditioning is turned on or off, for example. Using the device while condensation is present can cause damage. If there is reason to believe that condensation might have occurred, leave the device for several hours without turning on the power until the condensation has completely dried out.
- During extreme changes in temperature or humidity, condensation may occur and water may collect on the surface of the device. If water is left, the wooden parts may absorb the water and be damaged. Make sure to wipe any water off immediately with a soft cloth.
- Do not place the speaker face down.
- These speakers should be used vertically, not laid on their side.
- Avoid touching or allowing objects to come in contact with the speaker diaphragms.
- Air blowing out of the bass reflex ports is normal, and often occurs when the speaker is handling program material with heavy bass content.
- Always turn the power off when the device is not in use.

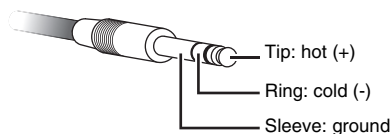
■ Connectors

- XLR-type connectors are wired as follows (IEC60268 standard): pin 1: ground, pin 2: hot (+), and pin 3: cold (-).

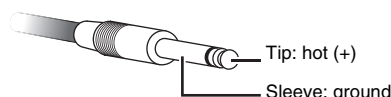
■ Phone type

Phone type connectors can be used for both unbalanced and balanced connections.

Cables fitted with TRS (tip, ring, sleeve) phone plugs are necessary for balanced connections to the HS series speakers. The construction of TRS phone plugs is basically the same as stereo phone plugs.

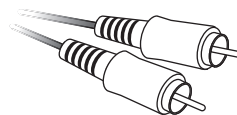


For unbalanced connections, connect standard mono phone plug cables to the HS speaker phone connectors.



■ RCA pin

Source devices that only have RCA pin type output connectors can be connected via RCA pin plug to phone plug conversion cables (cables with an RCA pin plug on one end and a phone plug on the other). Connections using RCA pin plug to phone plug conversion cables are unbalanced.



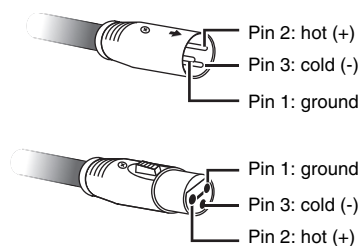
Balanced connections: These effectively cancel noise picked up from external sources. Balanced connections allow for longer cable runs that would probably otherwise result in more noise being picked up.

Unbalanced connections: Commonly used to connect electronic musical instruments and guitars, etc., to amplification equipment. If your cable runs do not extend past one or two meters, unbalanced cables can probably be used without any problems.

Connectable cables

■ XLR type

XLR type connectors are widely used in professional audio equipment and installations. The XLR type connectors provided on the HS series speakers are primarily intended for use with balanced connections.



IMPORTANT NOTICE FOR THE UNITED KINGDOM

Connecting the Plug and Cord

WARNING: THIS APPARATUS MUST BE EARTHED IMPORTANT. The wires in this mains lead are coloured in accordance with the following code:

GREEN-AND-YELLOW : EARTH
BLUE : NEUTRAL
BROWN : LIVE

As the colours of the wires in the mains lead of this apparatus may not correspond with the coloured markings identifying the terminals in your plug proceed as follows:

The wire which is coloured GREEN-and-YELLOW must be connected to the terminal in the plug which is marked by the letter E or by the safety earth symbol \oplus or colored GREEN or GREEN-and-YELLOW.

The wire which is coloured BLUE must be connected to the terminal which is marked with the letter N or coloured BLACK.

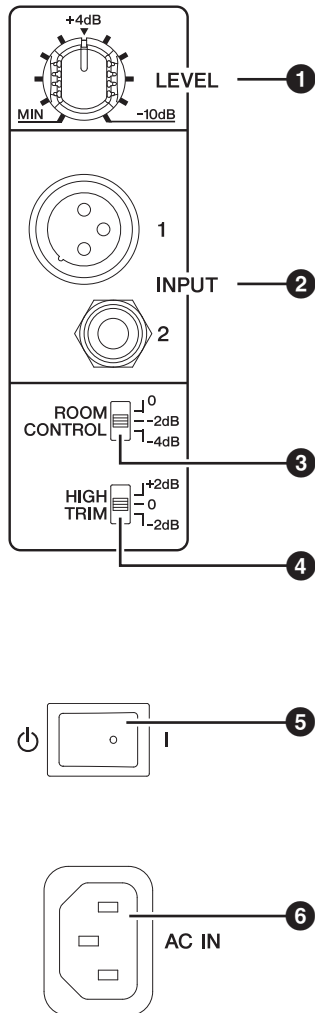
The wire which is coloured BROWN must be connected to the terminal which is marked with the letter L or coloured RED.

(3 wires)

Rear Panel

The HS8/HS7/HS5/HS8S switches and connectors are located on the rear panel, as described below.

HS8/HS7/HS5



Speaker Input and Response Control

1 LEVEL control

Adjusts the output level of the speaker. When set to the 12-o'clock position the speaker is optimized for a nominal input level of +4 dB.

2 INPUT 1/2 connector

These connectors receive the input signal to the speaker. Two input connectors are provided: one balanced XLR connector, and one balanced (TRS) phone jack.

NOTE The XLR and phone jack input connectors can not be used simultaneously. Use only one input connector at a time.

NOTE Refer to "Connectable cables" on page 5 for more connector details.

3 ROOM CONTROL switch

Adjusts the speaker's low-frequency response. This switch can be used to compensate for exaggerated low-frequency response that can be caused by reflections in some listening environments. Setting the switch to the [0] position produces a flat frequency response. The [-2 dB] setting attenuates the range below 500 Hz by 2 dB, and the [-4 dB] setting attenuates the range below 500 Hz by -4 dB.

4 HIGH TRIM switch

Adjusts the speaker's high-frequency response. Setting the switch to the [0] position produces a flat frequency response. The [+2 dB] setting boosts the range above 2 kHz by 2 dB, while the [-2 dB] setting attenuates the range above 2 kHz by -2 dB.

5 Power switch

Turns power to the speaker ON or OFF. Rock the switch to the right [I] to turn the power ON, or to the left [⏻] to turn the power OFF. The logo on the front panel will light when the power is ON.

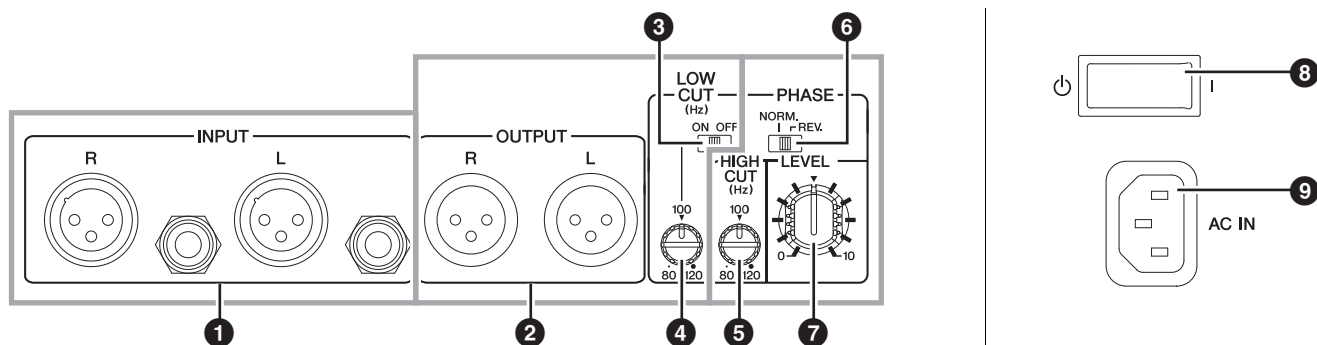
NOTICE

- Turning the power switch ON and OFF in rapid succession can cause the device's electronics to malfunction. Please wait for 3 seconds or more after turning the power OFF before turning it ON again.
- Even when the power switch is turned off, electricity is still flowing to the product at the minimum level. When you are not using the product for a long time, make sure to unplug the power cord from the wall AC outlet.

6 AC IN connector

Connect the supplied power cable here. First connect the power cord to the speaker, then insert the power cord plug into the AC outlet.

HS8S (Subwoofer)



Subwoofer Connections

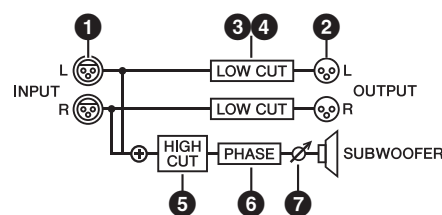
1 INPUT L/R connector

These connectors receive the input signal to the subwoofer. Balanced XLR and balanced phone jack connectors are provided for both the L and R inputs. The L and R inputs can be used simultaneously. Signals supplied to both the L and R inputs are mixed internally.

NOTE The XLR and phone jack input connectors can not be used simultaneously. Use only one input connector at a time.

NOTE Refer to “Connectable cables” on page 5 for more connector details.

HS8S signal flow



Connecting the Subwoofer to the HS8/HS7/HS5 Speakers

2 OUTPUT L/R connectors

These are the subwoofer's output connectors. The input signals received at the INPUT L and R connectors are output via the OUTPUT L and R connectors, respectively. Low frequency reproduction characteristics can be adjusted via the LOW CUT switch and LOW CUT control.

3 LOW CUT switch

When this switch is ON, the low frequencies are attenuated prior to output via the OUTPUT L and R connectors at the frequency set by the LOW CUT control. The low-frequency attenuation cutoff frequency can be adjusted via the LOW CUT control.

4 LOW CUT control

Adjusts the low-frequency attenuation cutoff frequency between 80 Hz and 120 Hz when the LOW CUT switch is ON.

Subwoofer Response Control

5 HIGH CUT control

Sets the cutoff frequency for subwoofer output high-frequency attenuation from 80 Hz to 120 Hz.

6 PHASE switch

Switches the phase of the subwoofer output. This switch should be set to [NORM.] in most situations, but in combination with some speakers and in some speaker layouts switching to the [REV.] setting may improve low-frequency response. Select the setting that provides the best bass response in your system.

7 LEVEL control

Adjusts the subwoofer output level.

8 Power switch

Turns power to the subwoofer ON or OFF. Rock the switch to the right [I] to turn the power ON, or to the left [⏻] to turn the power OFF. The logo on the front panel will light when the power is ON.

NOTICE

- Turning the power switch ON and OFF in rapid succession can cause the device's electronics to malfunction. Please wait for 3 seconds or more after turning the power OFF before turning it ON again.
- Even when the power switch is turned off, electricity is still flowing to the product at the minimum level. When you are not using the product for a long time, make sure to unplug the power cord from the wall AC outlet.

9 AC IN connector

Connect the supplied power cable here. First connect the power cord to the subwoofer, then insert the power cord plug into the AC outlet.

Setup

In this section we'll look at the general procedure for connecting and setting up a monitor speaker system. This is just an example though, so feel free to set up your own system in the way that best serves your personal listening needs.

Cables

You'll need to acquire appropriate cables to connect the HS series monitor speakers to your audio interface or other source equipment.

- **Short, high-quality cables**

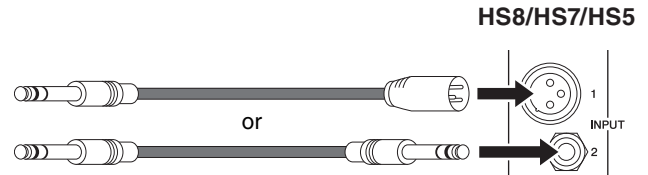
Use high-quality cables of the shortest practical length. The longer the cable, the more chance there is that noise will creep in to degrade your sound.

- **Balanced cables**

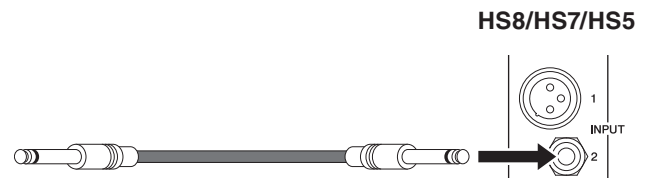
Balanced cables are more resistant to noise than unbalanced cables. If you have to use unbalanced cables because the source equipment only has unbalanced outputs, be sure to use the shortest possible unbalanced cables.

■ Recommended cables

- For connection to a balanced phone jack input.



- For connection to an unbalanced phone jack input.



NOTE Refer to "Connectable cables" on page 5 for more connector details. The configurations of the balanced and unbalanced phone jack connectors are different.

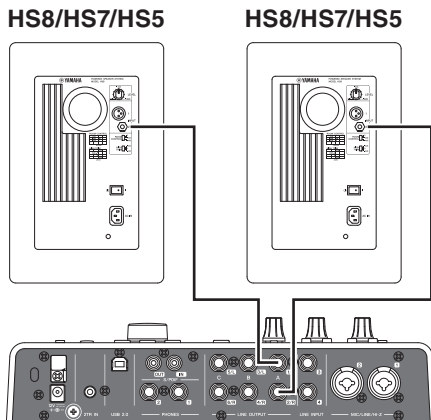
Connections

NOTICE

Plug the supplied AC power cord into the corresponding socket on the speaker. Plug the power cord into the speaker first, and then insert the AC plug end into an appropriate AC wall outlet.

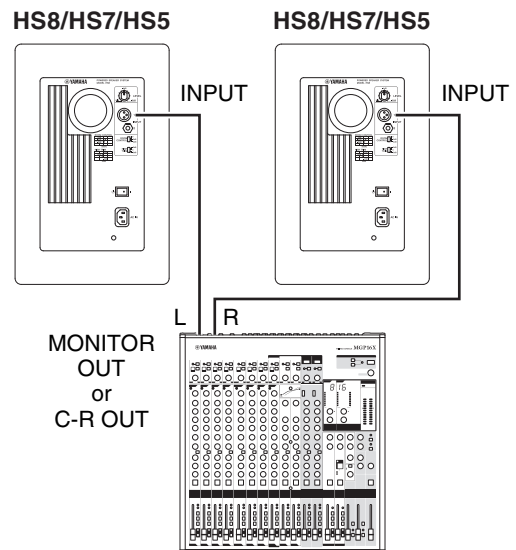
Connecting to an Audio Interface

When connecting an audio interface (Steinberg UR or MR series, etc.) to HS series speakers, connect the audio interface output connectors directly to the speakers' input connectors. Normally you'll connect to the LINE OUT 1 and 2 (1L and 2R outputs), although that might depend on the specific audio interface and DAW (Digital Audio Workstation) settings used.



Connecting to a Mixer

When connecting a mixer (Yamaha MGP or MG series, etc.) to HS series speakers, connect the mixer's MONITOR OUT or C-R OUT (Control Room) connectors directly to the speakers' input connectors. This makes it possible to control the monitor level independently from the mixer's main bus level.



■ Recommended cables

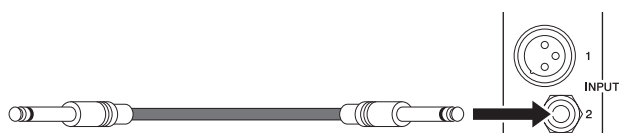
- For connection to a balanced XLR input.

HS8/HS7/HS5



- For connection to an unbalanced phone jack input.

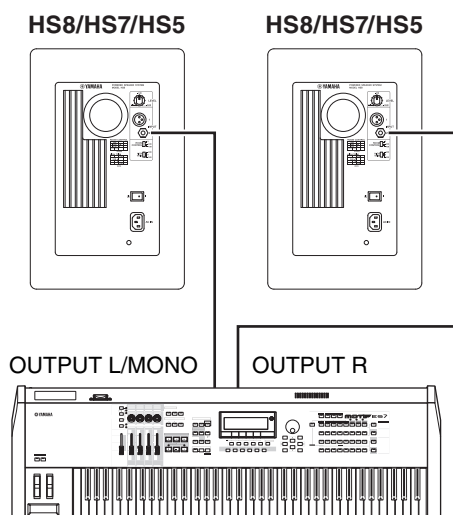
HS8/HS7/HS5



NOTE Refer to “Connectable cables” on page 5 for more connector details. The configurations of the balanced and unbalanced phone jack connectors are different.

Connecting to a Synthesizer or Other Electronic Musical Instrument

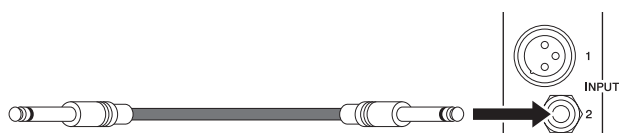
When connecting an electronic musical instrument such as a Yamaha MOTIF synthesizer to the HS series speakers, connect the instrument's L/MONO and R outputs to the HS speaker inputs.



■ Recommended cables

- For connection to an unbalanced phone jack input.

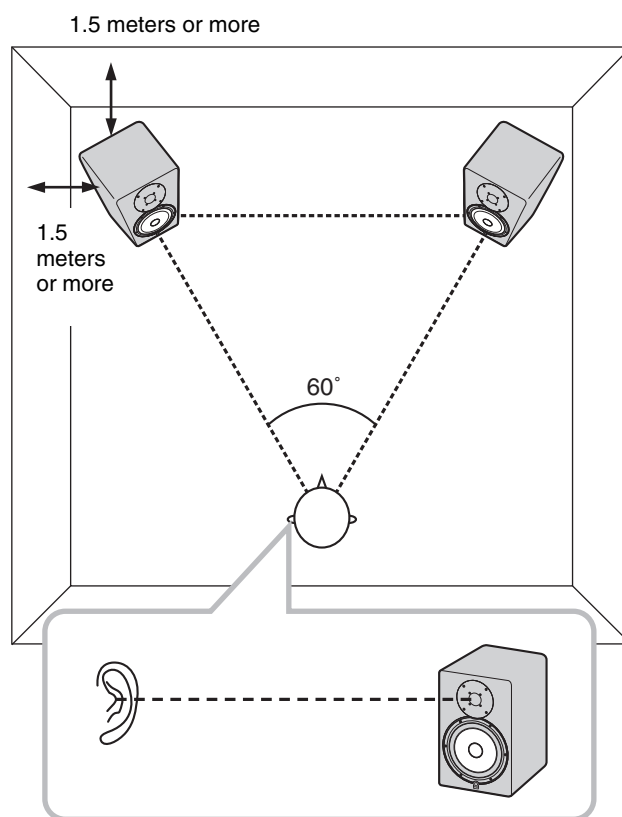
HS8/HS7/HS5



NOTE Refer to “Connectable cables” on page 5 for more connector details. The configurations of the balanced and unbalanced phone jack connectors are different.

Setting Up for Superior Sound

A number of points should be observed when laying out a monitor speaker system.



■ Point 1

Position speakers at least 1.5 meters away from walls or corners.

Ideally, the speakers should be located at least 1.5 meters away from walls or corners. In situations where it is not possible to position the speakers a sufficient distance from walls or corners, the ROOM CONTROL switch can be used to compensate for excessive bass. As you move the speaker closer to walls or corners, a higher compensation setting may be required to achieve natural sounding response ([0] → [-2] → [-4]).

■ Point 2

Position the left and right speakers symmetrically.

The left and right speakers should be positioned as symmetrically as possible in relation to the room. In other words, the left and right speakers should be the same distance from the rear wall and the respective left and right walls.

■ Point 3

The optimum listening position is at the apex of an equilateral triangle.

For the most accurate sound and balance, position yourself at the apex of an equilateral triangle formed by the left and right speakers and yourself, with the speakers angled inward so that they're facing you.

■ Point 4

Position the tweeters at ear height.

High frequencies are quite directional, so for the most accurate monitoring the speakers should be set up so that the tweeters are at approximately the same height as your ears when you're seated at the listening position.

HS8/HS7/HS5 Settings

Once the physical layout of your monitor system is finalized, you can begin making the following settings.

- 1 Turn the level/volume controls on all source equipment (audio interface, etc.) all the way down.**
- 2 Set the HS8/HS7/HS5 LEVEL control to the 12-o'clock position, and set both ROOM CONTROL and HIGH TRIM switches to 0 dB.**
- 3 Turn the power to connected audio source devices on first, and then turn on power to the speakers.**

NOTICE

When turning power off, turn off the speakers first, and then turn off connected audio source devices.

- 4 Play some source material and gradually raise the level/volume controls on the source equipment.**

NOTICE

Be careful not to suddenly apply an excessively loud signal to the system. Excessive level can damage the speakers.

- 5 Set the listening level to a level at which you can listen comfortably without fatigue for an extended period of time.**

NOTE If necessary, adjust the ROOM CONTROL and HIGH TRIM switches for the most natural response (refer to page 6).

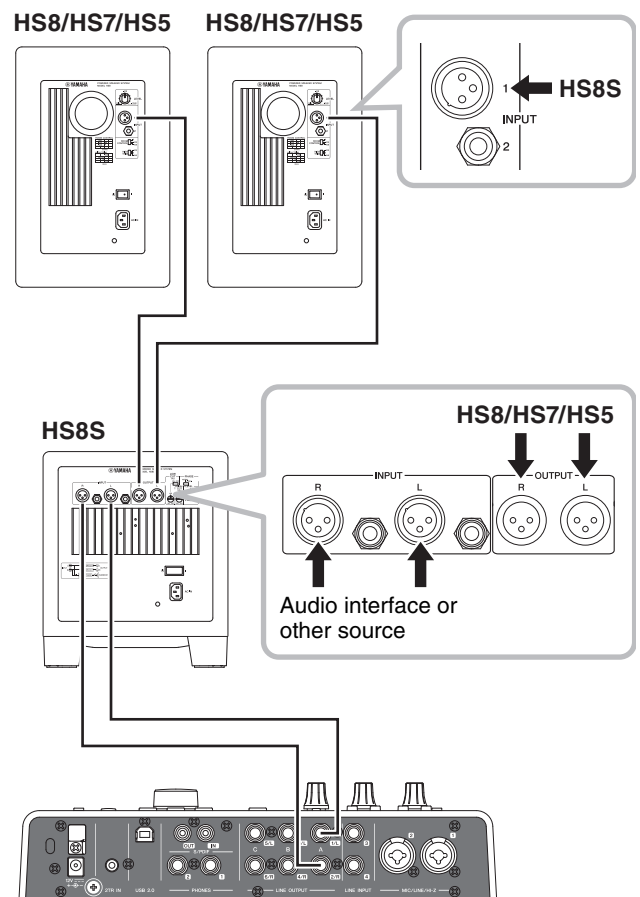
Adding a Subwoofer (HS8S)

Adding a subwoofer to your monitor system can significantly improve its low-frequency fidelity, making it possible to create better overall mixes.

The subwoofer is normally placed on the floor between the left and right full-range speakers, but since the subwoofer reproduces low frequencies below 200 Hz that are relatively non-directional, subwoofer positioning is not critical.

Four cables are required: two to connect the audio interface or other source equipment to the HS8S subwoofer, and two more to connect the subwoofer to the left and right HS8/HS7/HS5 main speakers.

The connections are made as shown below.



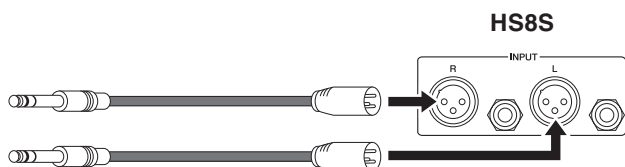
NOTICE

Plug the supplied AC power cord into the corresponding socket on the speaker. Plug the power cord into the speaker first, and then insert the AC plug end into an appropriate AC wall outlet.

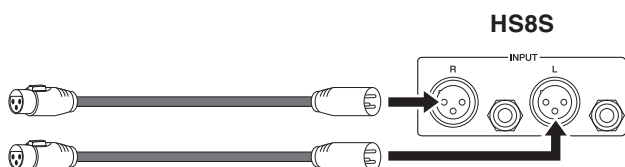
● Recommended cables

Cables for connecting the audio source (audio interface, etc.) to the HS8S

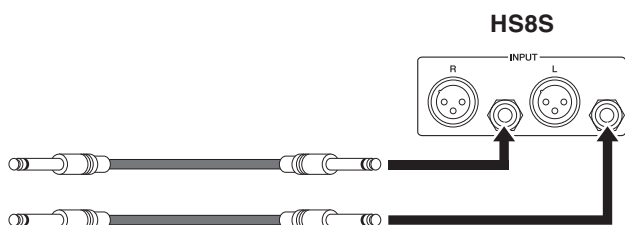
- For connection to a balanced phone jack input.



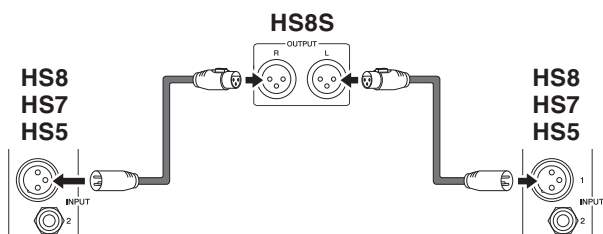
- For connection to a balanced XLR input.



- For connection to an unbalanced phone jack input.



Cables for connection between the HS8S and HS8/HS7/HS5



NOTE Refer to “Connectable cables” on page 5 for more connector details. The configurations of the balanced and unbalanced phone jack connectors are different.

■ Settings for Speakers Plus Subwoofer

Once the subwoofer connections have been made and the layout is finalized, you can begin making the following settings.

- 1 Turn the level/volume controls on all source equipment (audio interface, etc.) all the way down.**
- 2 Set the HS8/HS7/HS5 LEVEL control to the 12-o'clock position, and set both ROOM CONTROL and HIGH TRIM switches to 0 dB.**

- 3 Set the HS8S LEVEL control to 0, the HIGH CUT and LOW CUT controls to their 12-o'clock positions, and set the LOW CUT switch to OFF.**

- 4 Turn power on in the following order: audio source devices, then subwoofer, and finally the full-range speakers.**

NOTICE

Turn power off in the following order: full-range speakers, then subwoofer, and finally audio source devices.

- 5 Play some source material and gradually raise the level/volume controls on the source equipment.**

NOTICE

Be careful not to suddenly apply an excessively loud signal to the system. Excessive level can damage the speakers.

- 6 Set the HS8S LEVEL control to between 10 and 12 o'clock, and turn the LOW CUT switch ON.**

- 7 Set the listening level to a level at which you can listen comfortably without fatigue for an extended period of time.**

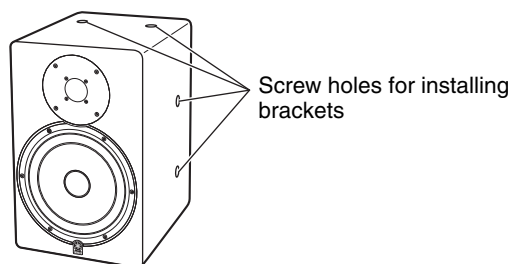
NOTE

- If necessary, adjust the ROOM CONTROL and HIGH TRIM switches for the most natural response (refer to page 6).
- If necessary, adjust the LOW CUT and HIGH CUT controls and the PHASE switch for the most natural response (refer to page 7).

Installing Brackets (HS8I/HS7I/HS5I only)

HS8I/HS7I/HS5I can be installed with optional brackets. Two screw holes for installing the brackets are located on each of the four surfaces (top, bottom, left and right).

Refer also to the bracket installation manual. Note that there are two sets of screws: those that are originally installed in the speaker cabinet (to plug the installation holes) and those (for bracket installation) that are included in the product package. When installing brackets to the speaker, remove the original screws and make sure to use only the screws included in the product package for bracket installation.

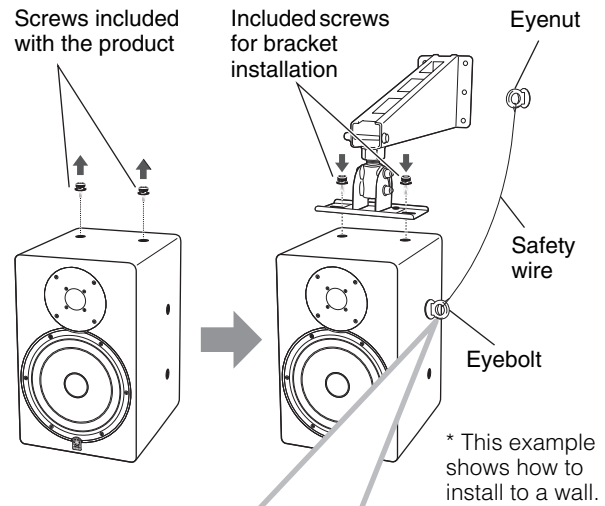


⚠ Caution

- Construction work should be carried out by a professional constructor.
- Do not install the speaker transversely.
- Make sure not to touch the cone when installing.
- For optimum safety, the installation should be checked thoroughly at regular intervals. Some fittings may deteriorate over extended periods of time due to wear and/or corrosion, or the mounted parts may loosen.
- When choosing the installation location such as wall and ceiling and mounting hardware (bolts, nuts), make sure all are strong enough to support the weight of the speaker.
- Make sure to properly use the safety wire to prevent the speaker from falling down in the event of an installation failure.
- When installing the safety wire to the ceiling or wall, install it higher than the wire's attachment point on the speaker to reduce slack. Also, ensure that the installation height and location would pose no danger to people should the speaker fall.
- Yamaha does not assume any responsibilities for accidents such as dropping due to insufficient strength at attachment points or inadequacy of the mounting method.
- The recommended tightening torque for installing the included screws for bracket installation is 6.2 Nm for the M8 screw (HS8I and HS7I) and 2.4 Nm for the M5 screw (HS5I).
- Use safety wires with the following specifications.

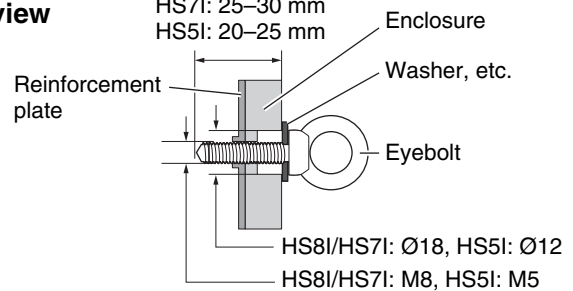
Diameter	Ø3.0 mm or more
Length	Less than 600 mm
Material	Stainless steel
Breaking load	6,370 N (650 kg) or more

NOTE Do not use the speaker if the screws at locations where brackets are not installed have been removed. This causes air leaks to occur from the enclosure, resulting in undesirable performance.



Sectional view

HS8I: 25–50 mm
 HS7I: 25–30 mm
 HS5I: 20–25 mm



Troubleshooting

Symptom	Possible Cause	Solution
Power won't turn on / front panel logo doesn't light.	The power cord might not be connected properly.	Check and connect the power cord.
	The power switch might not be turned on.	Turn the power switch ON. If the problem persists, contact your Yamaha dealer.
No sound.	One or more cables might not be connected properly.	Check that all cables are properly connected.
	The source equipment might not be supplying an audio signal.	Make sure that the source equipment is functioning properly and delivering the required signal.
	The level setting might be too low.	Adjust the output level setting of the source equipment, or use the LEVEL control to increase the output level.
	Are cables connected to both the XLR and phone jack INPUT connectors?	The XLR and phone jack input connectors can not be used simultaneously. Use only one input connector at a time.
Noisy or distorted sound.	One or more cables might be corroded, shorted, or otherwise broken.	Replace faulty cable(s).
	The system might be picking up external noise.	Try changing the positions or layout of the cables.
		Try changing the location of other electrical/ electronic devices that are near the speakers.

Information for Users on Collection and Disposal of Old Equipment



This symbol on the products, packaging, and/or accompanying documents means that used electrical and electronic products should not be mixed with general household waste. For proper treatment, recovery and recycling of old products, please take them to applicable collection points, in accordance with your national legislation and the Directives 2002/96/EC.

By disposing of these products correctly, you will help to save valuable resources and prevent any potential negative effects on human health and the environment which could otherwise arise from inappropriate waste handling.

For more information about collection and recycling of old products, please contact your local municipality, your waste disposal service or the point of sale where you purchased the items.

[For business users in the European Union]

If you wish to discard electrical and electronic equipment, please contact your dealer or supplier for further information.

[Information on Disposal in other Countries outside the European Union]

This symbol is only valid in the European Union. If you wish to discard these items, please contact your local authorities or dealer and ask for the correct method of disposal.

(weee_eu_en_01)

Información para los usuarios acerca de la recogida y desecho de equipos antiguos



Este símbolo en los productos, embalajes y/o documentos adjuntos indica que los productos eléctricos y electrónicos usados no deben mezclarse con la basura doméstica normal. Lleve los productos antiguos a los puntos de recogida pertinentes, de acuerdo con la legislación nacional y la Directiva 2002/96/CE, para conseguir así un tratamiento, recuperación y reciclaje adecuados.

Si se deshace correctamente de estos productos, contribuirá a ahorrar valiosos recursos y a impedir los posibles efectos adversos que sobre la salud humana y el medio ambiente podría provocar la incorrecta manipulación de la basura.

Póngase en contacto con su ayuntamiento, con el departamento de eliminación de basuras o con el establecimiento donde adquirió los artículos y obtenga más información acerca de la recogida y reciclaje de productos antiguos.

[Para usuarios profesionales de la Unión Europea]

Si desea desechar equipos eléctricos y electrónicos, póngase en contacto con su distribuidor o proveedor para obtener más información.

[Información acerca del desecho en países fuera del ámbito de la Unión Europea]

Este símbolo solo es válido dentro de la Unión Europea. Si desea desechar estos artículos, póngase en contacto con las autoridades municipales o con su distribuidor, e infórmese acerca del método correcto de hacerlo.

(weee_eu_es_01a)

Verbraucherinformation zur Sammlung und Entsorgung alter Elektrogeräte



Befindet sich dieses Symbol auf den Produkten, der Verpackung und/oder beiliegenden Unterlagen, so sollten benutzte elektrische Geräte nicht mit dem normalen Haushaltsabfall entsorgt werden.

In Übereinstimmung mit Ihren nationalen Bestimmungen und den Richtlinien 2002/96/EG bringen Sie alte Geräte bitte zur fachgerechten Entsorgung, Wiederaufbereitung und Wiederverwendung zu den entsprechenden Sammelstellen.

Durch die fachgerechte Entsorgung der Elektrogeräte helfen Sie, wertvolle Ressourcen zu schützen, und verhindern mögliche negative Auswirkungen auf die menschliche Gesundheit und die Umwelt, die andernfalls durch unsachgerechte Müllentsorgung auftreten könnten.

Für weitere Informationen zum Sammeln und Wiederaufbereiten alter Elektrogeräte kontaktieren Sie bitte Ihre örtliche Stadt- oder Gemeindeverwaltung, Ihren Abfallentsorgungsdienst oder die Verkaufsstelle der Artikel.

[Information für geschäftliche Anwender in der Europäischen Union]

Wenn Sie Elektrogeräte ausrangieren möchten, kontaktieren Sie bitte Ihren Händler oder Zulieferer für weitere Informationen.

[Entsorgungsinformation für Länder außerhalb der Europäischen Union]

Dieses Symbol gilt nur innerhalb der Europäischen Union. Wenn Sie solche Artikel ausrangieren möchten, kontaktieren Sie bitte Ihre örtlichen Behörden oder Ihren Händler und fragen Sie nach der sachgerechten Entsorgungsmethode.

(weee_eu_de_01a)

Informações para os utilizadores sobre a recolha e eliminação de equipamentos velhos



Este símbolo nos produtos, embalagem e/ou documentos que os acompanham significa que os produtos elétricos e eletrónicos velhos não devem ser misturados com o lixo doméstico geral. Para o tratamento, recuperação e reciclagem apropriados de produtos velhos, leve-os para os pontos de recolha aplicáveis, de acordo com a legislação nacional do seu país e com a Diretiva 2002/96/CE.

Através da eliminação correta destes produtos, ajudará a poupar recursos valiosos e a prevenir quaisquer potenciais efeitos negativos sobre a saúde humana e o meio ambiente, que poderiam ocorrer do manuseio inadequado de resíduos.

Para mais informações sobre a recolha e reciclagem de produtos velhos, contacte a autoridade local responsável, o serviço de recolha de resíduos ou o local de venda onde comprou os produtos.

[Para utilizadores comerciais na União Europeia]

Se quiser eliminar equipamentos elétricos e eletrónicos, contacte o seu revendedor ou fornecedor para mais informações.

[Informações sobre a eliminação nos países fora da União Europeia]

Este símbolo é válido apenas na União Europeia. Se pretender eliminar estes itens, contacte a autoridade local responsável ou o seu revendedor e informe-se sobre o método de eliminação correto.

(weee_eu_pt_01a)

Information concernant la Collecte et le Traitement des déchets d'équipements électriques et électroniques.



Le symbole sur les produits, l'emballage et/ou les documents joints signifie que les produits électriques ou électroniques usagés ne doivent pas être mélangés avec les déchets domestiques habituels.

Pour un traitement, une récupération et un recyclage appropriés des déchets d'équipements électriques et électroniques, veuillez les déposer aux points de collecte prévus à cet effet, conformément à la réglementation nationale et aux Directives 2002/96/CE.

En vous débarrassant correctement des déchets d'équipements électriques et électroniques, vous contribuerez à la sauvegarde de précieuses ressources et à la prévention de potentiels effets négatifs sur la santé humaine qui pourraient advenir lors d'un traitement inapproprié des déchets.

Pour plus d'informations à propos de la collecte et du recyclage des déchets d'équipements électriques et électroniques, veuillez contacter votre municipalité, votre service de traitement des déchets ou le point de vente où vous avez acheté les produits.

[Pour les professionnels dans l'Union Européenne]

Si vous souhaitez vous débarrasser des déchets d'équipements électriques et électroniques veuillez contacter votre vendeur ou fournisseur pour plus d'informations.

[Information sur le traitement dans d'autres pays en dehors de l'Union Européenne]

Ce symbole est seulement valable dans l'Union Européenne. Si vous souhaitez vous débarrasser de déchets d'équipements électriques et électroniques, veuillez contacter les autorités locales ou votre fournisseur et demander la méthode de traitement appropriée.

(weee_eu_fr_01a)

Informazioni per gli utenti sulla raccolta e lo smaltimento di vecchia attrezzatura



La presenza di questo simbolo sui prodotti, sull'imballaggio, e/o sui documenti che li accompagnano avverte l'utente che i prodotti elettrici ed elettronici usati non devono essere associati ai rifiuti domestici generici.

Per il trattamento, recupero e riciclaggio appropriati di vecchi prodotti, consegnarli ai punti di raccolta specifici in accordo con la propria legislazione nazionale e la direttiva 2002/96/CE.

Smaltendo correttamente questi prodotti, si contribuisce al risparmio di risorse preziose e a prevenire alcuni potenziali effetti negativi sulla salute umana e l'ambiente, che altrimenti potrebbero sorgere dal trattamento improprio dei rifiuti.

Per ulteriori informazioni sulla raccolta e il riciclaggio di vecchi prodotti, contattare la propria amministrazione comunale, il servizio di smaltimento dei rifiuti o il punto vendita dove i prodotti sono stati acquistati.

[Per le aziende dell'Unione europea]

Se si desidera disfarsi di prodotti elettrici ed elettronici, contattare il rivenditore o il fornitore per ulteriori informazioni.

[Informazioni sullo smaltimento negli altri Paesi al di fuori dell'Unione europea]

Il presente simbolo è valido solamente nell'Unione europea. Se si desidera disfarsi di questi articoli, contattare le autorità locali o il rivenditore per informarsi sulle corrette modalità di smaltimento.

(weee_eu_it_01a)

- * The contents of this manual apply to the latest specifications as of the publishing date. To obtain the latest manual, access the Yamaha website then download the manual file. Since specifications, equipment or separately sold accessories may not be the same in every locale, please check with your Yamaha dealer.

- * Der Inhalt dieser Bedienungsanleitung gilt für die neuesten technischen Daten zum Zeitpunkt der Veröffentlichung. Um die neueste Version der Anleitung zu erhalten, rufen Sie die Website von Yamaha auf und laden Sie dann die Datei mit der Bedienungsanleitung herunter. Da die Technischen Daten, das Gerät selbst oder gesondert erhältliches Zubehör nicht in jedem Land gleich sind, setzen Sie sich im Zweifel bitte mit Ihrem Yamaha-Händler in Verbindung.

- * Le contenu de ce mode d'emploi s'applique aux dernières caractéristiques techniques connues à la date de publication du manuel. Pour obtenir la version la plus récente du manuel, accédez au site Web de Yamaha puis téléchargez le fichier du manuel concerné. Étant donné que les caractéristiques techniques, les équipements et les accessoires vendus séparément varient d'un pays à l'autre, adressez-vous pour cela à votre distributeur Yamaha.

- * El contenido de este manual se aplica a las últimas especificaciones según la fecha de publicación. Para obtener el último manual, acceda al sitio web de Yamaha y descargue el archivo del manual. Puesto que las especificaciones, los equipos o los accesorios que se vendan aparte podrían no ser iguales en todos los sitios, consulte al distribuidor de Yamaha.

- * O conteúdo deste manual se aplica às especificações mais recentes a partir da data de publicação. Para obter o manual mais recente, acesse o site da Yamaha e faça o download do arquivo do manual. Como as especificações, os equipamentos ou os acessórios vendidos separadamente podem não ser iguais em todas as localidades; consulte o revendedor Yamaha.

- * Il contenuto del presente manuale si applica alle ultime specifiche tecniche a partire dalla data di pubblicazione. Per ottenere la versione più recente del manuale, accedere al sito Web Yamaha e scaricare il file corrispondente. Dal momento che le specifiche tecniche, le apparecchiature e gli accessori venduti separatamente potrebbero variare a seconda del paese in cui viene distribuito il prodotto, verificarli con il rivenditore Yamaha.

- * В содержании данного руководства приведены последние на момент публикации технические характеристики. Для получения последней версии руководства посетите веб-сайт корпорации Yamaha и загрузите файл с руководством. Так как технические характеристики, оборудование и отдельно продаваемые принадлежности могут различаться в разных странах, обратитесь за информацией к представителю корпорации Yamaha в своем регионе.

- * この取扱説明書では、発行時点の最新仕様で説明をしております。最新版の取扱説明書につきましては、ヤマハウェブサイトからダウンロードして読みいただけますようお願いいたします。

이 기기는 가정용(B급) 전자파적합기기로서 주로 가정에서 사용하는 것을 목적으로 하며, 모든 지역에서 사용할 수 있습니다.

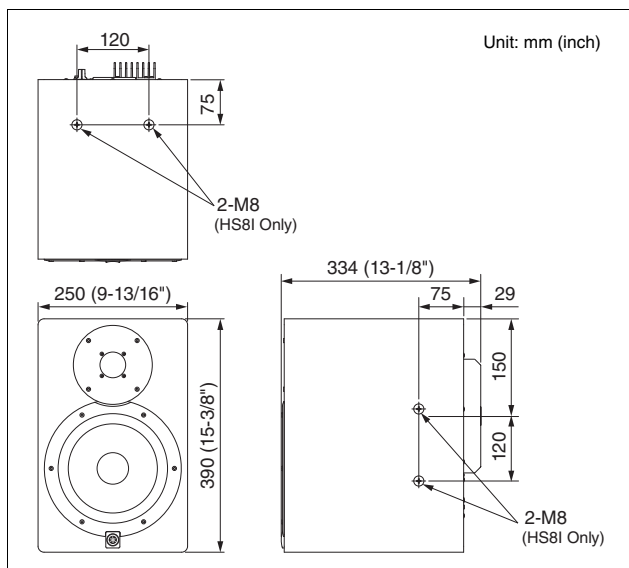
(class b korea)

Specifications

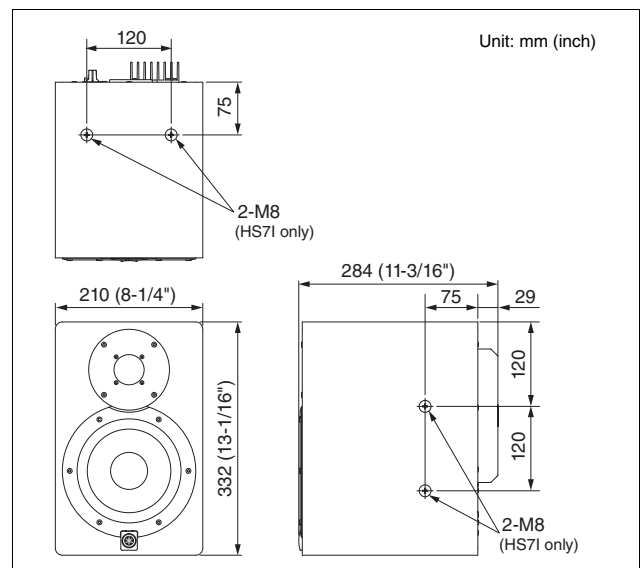
Model	HS8	HS8I	HS7	HS7I	HS5	HS5I	HS8S
General Specifications							
Type	Bi-amp 2-way powered speaker						Powered subwoofer
Crossover Frequency	2 kHz						–
Overall Frequency Response	-3dB	47 Hz – 24 kHz		55 Hz – 24 kHz		74 Hz – 24 kHz	
	-10dB	38 Hz – 30 kHz		43 Hz – 30 kHz		54 Hz – 30 kHz	
Mounting Points	–	Four surfaces x 2 x M8 (120 mm pitch)		–	Four surfaces x 2 x M8 (120 mm pitch)		–
Dimensions (W x H x D)	250 x 390 x 334 mm 9-13/16 x 15-3/8 x 13-1/8"		210 x 332 x 284 mm 8-1/4 x 13-1/16 x 11-3/16"		170 x 285 x 222 mm 6-11/16 x 11-1/4 x 8-3/4"		300 x 350 x 389 mm 11-13/16 x 13-3/4 x 15-5/16"
Weight	10.2 kg (22.5 lb.)	10.7 kg (23.6 lb.)	8.2 kg (18.1 lb.)	8.7 kg (19.2 lb.)	5.3 kg (11.7 lb.)	5.5 kg (12.1 lb.)	12.5 kg (27.6 lb.)
Speaker Components							
Speaker Components	LF: 8" cone HF: 1" dome		LF: 6.5" cone HF: 1" dome		LF: 5" cone HF: 1" dome		8" cone
Enclosure	Bass-reflex type, Material: MDF						
Amplifier Unit							
Output Power	Total	120 W (dynamic power)		95 W (dynamic power)		70 W (dynamic power)	
	LF	75 W (4 ohms)		60 W (4 ohms)		45 W (4 ohms)	
	HF	45 W (8 ohms)		35 W (8 ohms)		25 W (8 ohms)	
Input Sensitivity / Impedance	-10 dBu/10k ohms						
Output Level/Impedance	–						-10 dBu/600 ohms
Input Connectors (Parallel)	1: XLR-3-31 type (balanced) 2: PHONE (balanced)						
Output Connectors	–						XLR-3-32 type (balanced) x2 (L&R)
Controls	LEVEL control (+4 dB, center click) EQ: HIGH TRIM switch (+/- 2 dB at HF), ROOM CONTROL switch (0/-2/-4 dB under 500Hz)						LEVEL control PHASE switch (NORM./REV.) HIGH CUT control (80 – 120 Hz, center click) LOW CUT control (80 – 120 Hz, center click) LOW CUT switch (ON/OFF)
Indicator	Power ON (White LED)						
Power Consumption	60 W		55 W		45 W		70 W

Dimensions

HS8/HS8I



HS7/HS7I



English

Deutsch

Français

Español

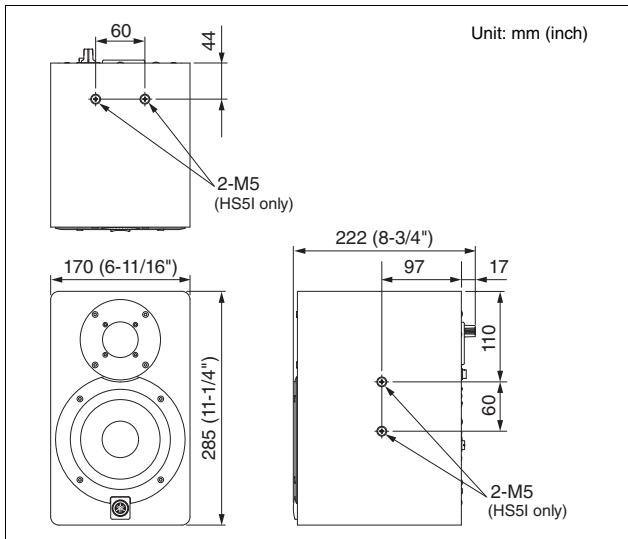
Português

Italiano

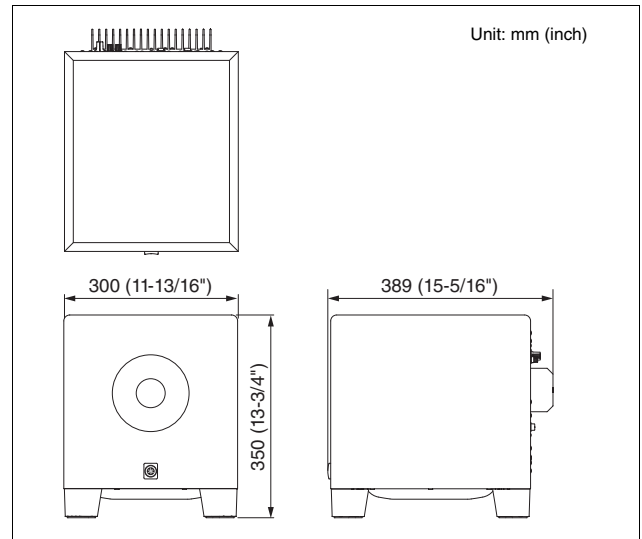
Русский

日本語

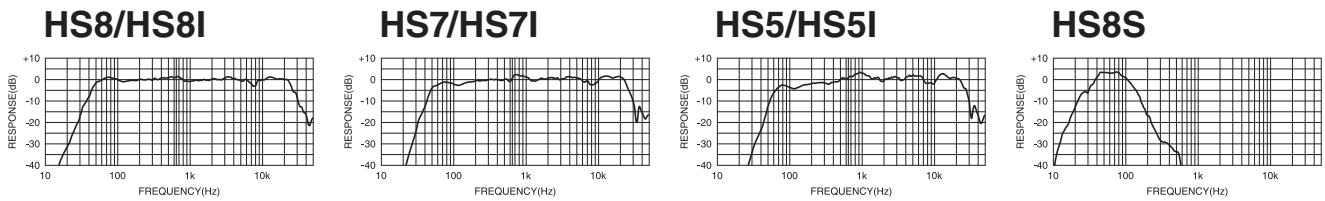
HS5/HS5I



HS8S

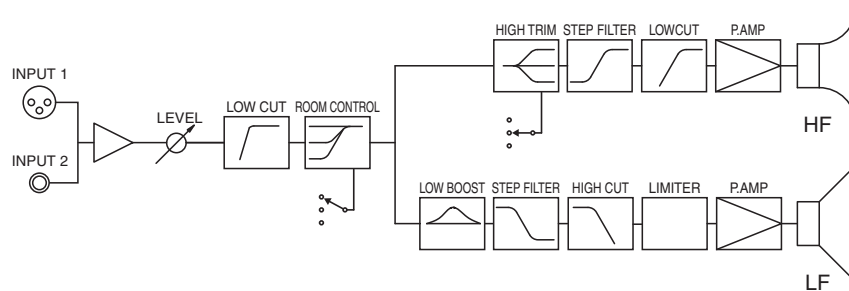


Performance Graph

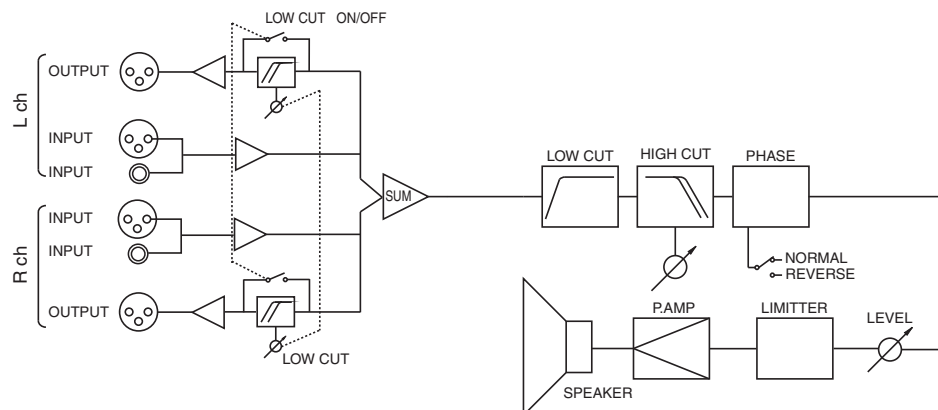


Block Diagram

HS8/HS7/HS5 HS8I/HS7I/HS5I

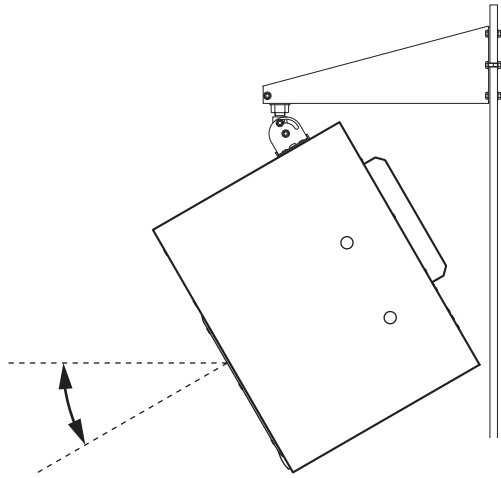


HS8S



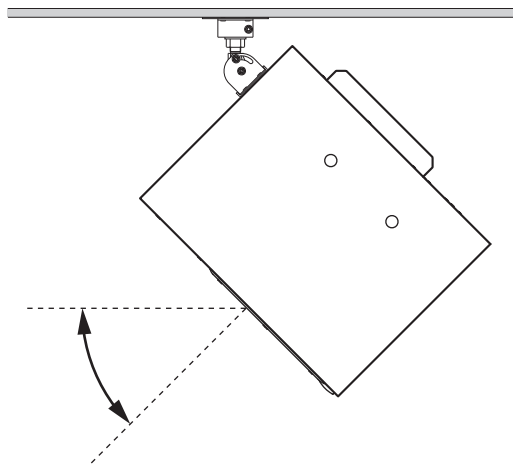
Tilt Angle (HS8I/HS7I/HS5I only)

Wall mount



Model	Bracket	Maximum tilt angle
HS8I	BWS251-300	30°
	BWS251-400	45°
	BWS50-260	0°
	BWS50-190	Not compatible
HS7I	BWS251-300	35°
	BWS251-400	45°
	BWS50-260	0°
	BWS50-190	Not compatible
HS5I	BWS20-190	0°
	BWS20-120	Not compatible

Ceiling mount



Model	Bracket	Maximum tilt angle
HS8I	BCS251	45°
	BWS50-260	30°
	BWS50-190	
HS7I	BCS251	45°
	BWS50-260	30°
	BWS50-190	
HS5I	BCS20-210	20°
	BCS20-150	
	BWS20-190	
	BWS20-120	

Important Notice: Guarantee Information for customers in European Economic Area (EEA) and Switzerland

Important Notice: Guarantee Information for customers in EEA* and Switzerland For detailed guarantee information about this Yamaha product, and Pan-EEA* and Switzerland warranty service, please either visit the website address below (Printable file is available at our website) or contact the Yamaha representative office for your country. * EEA: European Economic Area	English
Wichtiger Hinweis: Garantie-Information für Kunden in der EWR* und der Schweiz Für nähere Garantie-Information über dieses Produkt von Yamaha, sowie über den Pan-EWR*- und Schweizer Garantieservice, besuchen Sie bitte entweder die folgende angegebene Internetadresse (eine druckfähige Version befindet sich auch auf unserer Webseite), oder wenden Sie sich an den für Ihr Land zuständigen Yamaha-Vertrieb. *EWR: Europäischer Wirtschaftsraum	Deutsch
Remarque importante: informations de garantie pour les clients de l'EEE et la Suisse Pour des informations plus détaillées sur la garantie de ce produit Yamaha et sur le service de garantie applicable dans l'ensemble de l'EEE ainsi qu'en Suisse, consultez notre site Web à l'adresse ci-dessous (le fichier imprimable est disponible sur notre site Web) ou contactez directement Yamaha dans votre pays de résidence. * EEE : Espace Economique Européen	Français
Belangrijke mededeling: Garantie-informatie voor klanten in de EER* en Zwitserland Voor gedetailleerde garantie-informatie over dit Yamaha-product en de garantieservice in heel de EER* en Zwitserland, gaat u naar de onderstaande website (u vindt een afdrukbaar bestand op onze website) of neemt u contact op met de vertegenwoordiging van Yamaha in uw land. * EER: Europese Economische Ruimte	Nederlands
Aviso importante: información sobre la garantía para los clientes del EEE* y Suiza Para una información detallada sobre este producto Yamaha y sobre el soporte de garantía en la zona EEE* y Suiza, visite la dirección web que se incluye más abajo (la versión del archivo para imprimir esta disponible en nuestro sitio web) o póngase en contacto con el representante de Yamaha en su país. * EEE: Espacio Económico Europeo	Español
Avviso importante: informazioni sulla garanzia per i clienti residenti nell'EEA* e in Svizzera Per informazioni dettagliate sulla garanzia relativa a questo prodotto Yamaha e l'assistenza in garanzia nei paesi EEA* e in Svizzera, potete consultare il sito Web all'indirizzo riportato di seguito (è disponibile il file in formato stampabile) oppure contattare l'ufficio di rappresentanza locale della Yamaha. * EEA: Area Economica Europea	Italiano
Aviso importante: informações sobre as garantias para clientes da AEE* e da Suíça Para obter uma informação pormenorizada sobre este produto da Yamaha e sobre o serviço de garantia na AEE* e na Suíça, visite o site a seguir (o arquivo para impressão está disponível no nosso site) ou entre em contato com o escritório de representação da Yamaha no seu país. * AEE: Área Económica Européia	Português
Σημαντική σημείωση: Πληροφορίες εγγύησης για τους πελάτες στον ΕΟΧ* και Ελλάδα Για λεπτομερείς πληροφορίες εγγύησης σχετικά με το παρόν προϊόν της Yamaha και την κάλυψη εγγύησης σε όλες τις χώρες του ΕΟΧ και την Ελλάδα, επισκεφτείτε την παρακάτω ιστοσελίδα (Εκτυπώσιμη μορφή είναι διαθέσιμη στην ιστοσελίδα μας) ή απευθυνθείτε στην αντιπροσωπεία της Yamaha στη χώρα σας. * ΕΟΧ: Ευρωπαϊκός Οικονομικός Χώρος	Ελληνικά
Viktigt: Garantiinformation för kunder i EES-området* och Schweiz För detaljerad information om denna Yamaha-produkt samt garantiservice i hela EES-området* och Schweiz kan du antingen besöka nedanstående webbadress (en utskriftsvänlig fil finns på webbplatsen) eller kontakta Yamahas officiella representant i ditt land. * EES: Europeiska Ekonomiska Samarbetsområdet	Svenska
Viktig merknad: Garantiinformasjon for kunder i EØS* og Sveits Detaljert garantiinformasjon om dette Yamaha-produktet og garantiservice for hele EØS-området* og Sveits kan fås enten ved å besøke nettstedene nedenfor (utskriftsversjon finnes på våre nettsider) eller kontakte Yamahas kontoret i landet der du bor. *EØS: Det europeiske økonomiske samarbeidsområdet	Norsk
Vigtig oplysning: Garantioplysninger til kunder i EØ* og Schweiz De kan finde detaljerede garantioplysninger om dette Yamaha-produkt og den fælles garantiserviceordning for EØ* (og Schweiz) ved at besøge det websted, der er angivet nedenfor (der findes en fil, som kan udskrives, på vores websted), eller ved at kontakte Yamahas nationale repræsentationskontor i det land, hvor De bor. * EØ: Det Europæiske Økonomiske Område	Dansk
Tärkeä ilmoitus: Takuutiedot Euroopan talousalueen (ETA)* ja Sveitsin asiakkaille Tämän Yamaha-tuotteen sekä ETA-alueen ja Sveitsin takuuta koskevat yksityiskohtaiset tiedot saatte alla olevasta nettosoitteesta. (Tulostettava tiedosto saatavissa sivustollamme.) Voitte myös ottaa yhteyttä paikalliseen Yamaha-edustajaan. *ETA: Euroopan talousalue	Suomi
Ważne: Warunki gwarancyjne obowiązujące w EOG* i Szwajcarii Aby dowiedzieć się więcej na temat warunków gwarancyjnych tego produktu firmy Yamaha i serwisu gwarancyjnego w całym EOG* i Szwajcarii, należy odwiedzić wskazaną poniżej stronę internetową (Plik gotowy do wydruku znajduje się na naszej stronie internetowej) lub skontaktować się z przedstawicielstwem firmy Yamaha w swoim kraju. * EOG — Europejski Obszar Gospodarczy	Polski
Důležité oznámení: Záruční informace pro zákazníky v EHS* a ve Švýcarsku Podrobné záruční informace o tomto produktu Yamaha a záručním servisu v celém EHS* a ve Švýcarsku naleznete na níže uvedené webové adrese (soubor k tisku je dostupný na našich webových stránkách) nebo se můžete obrátit na zastoupení firmy Yamaha ve své zemi. * EHS: Evropský hospodářský prostor	Česky
Fontos figyelemztetés: Garancia-információk az EGT* területén és Svájcban élő vásárlók számára A jelen Yamaha termékre vonatkozó részletes garancia-információk, valamint az EGT*-re és Svájcra kiterjedő garanciális szolgáltatás tekintetében keresse fel webhelyünket az alábbi címen (a webhelyen nyomtatható fájl is található), vagy pedig lépjen kapcsolatba az országában működő Yamaha képviselői irodával. * EGT: Európai Gazdasági Térség	Magyar
Oluline märkus: Garantiteave Euroopa Majanduspiirkonna (EMP)* ja Šveitsi klientidele Täpsema teabe saamiseks selle Yamaha toote garantii ning kogu Euroopa Majanduspiirkonna ja Šveitsi garantiteeninduse kohta, külastage palun veebisaiti alljärgneval aadressil (meie saidil on saadaval printitav fail) või pöörduge Teie regioonil Yamaha esinduse poole. * EMP: Euroopa Majanduspiirkond	Eesti keel
Svarīgs paziņojums: garantijas informācija klientiem EEZ* un Šveicē Lai saņemtu detalizētu garantijas informāciju par šo Yamaha produktu, kā arī garantijas apkalpošanu EEZ* un Šveicē, lūdzu, apmeklējiet zemāk norādīto tīmekļa vietnes adresi (tīmekļa vietni ir pieejams drukājams fails) vai sazinieties ar jūsu valsti apkalpojošo Yamaha pārstāvniecību. * EEZ: Eiropas Ekonomikas zona	Latviešu
Dėmesio: informacija dėl garantijos pirkėjams EEE* ir Šveicarijoje Jei reikia išsamios informacijos apie šį „Yamaha“ produktą ir jo techninę priežiūrą visoje EEE* ir Šveicarijoje, apsilankykite mūsų svetainėje toliau nurodytu adresu (svetainėje yra spausdintinas failas) arba kreipkitės į „Yamaha“ atstovybę savo šaliai. *EEE – Europos ekonominė erdvė	Lietuvių kalba
Dôležité upozornenie: Informácie o záruke pre zákazníkov v EHP* a Švajčiarsku Podrobné informácie o záruke týkajúce sa tohto produktu od spoločnosti Yamaha a garančnom servise v EHP* a Švajčiarsku nájdete na webovej stránke uvedenej nižšie (na našej webovej stránke je k dispozícii súbor na tlač) alebo sa obráťte na zástupcu spoločnosti Yamaha vo svojej krajine. * EHP: Európsky hospodársky priestor	Slovenčina
Pomembno obvestilo: Informacije o garanciji za kupce v EGP* in Švici Za podrobnejše informacije o tem Yamahinem izdelku ter garancijskem servisu v celotnem EGP in Švici, obiščite spletno mesto, ki je navedeno spodaj (natisljiva datoteka je na voljo na našem spletnem mestu), ali se obrnite na Yamahinega predstavnika v svoji državi. * EGP: Evropski gospodarski prostor	Slovenščina
Важно съобщение: Информация за гаранцията за клиенти в ЕИП* и Швейцария За подробна информация за гаранцията за този продукт на Yamaha и гаранционното обслужване в паневропейската зона на ЕИП* и Швейцария или посетете посочения по-долу уеб сайт (на нашия уеб сайт има файл за печат), или се свържете с представителния офис на Yamaha във вашата страна. * ЕИП: Европейско икономическо пространство	Български език
Notificare importantă: Informații despre garanție pentru clienții din SEE* și Elveția Pentru informații detaliate privind acest produs Yamaha și serviciul de garanție Pan-SEE* și Elveția, vizitați site-ul la adresa de mai jos (fișierul imprimabil este disponibil pe site-ul nostru) sau contactați biroul reprezentanței Yamaha din țara dumneavoastră. * SEE: Spațiul Economic European	Limba română

<http://europe.yamaha.com/warranty/>

ADDRESS LIST

NORTH AMERICA

CANADA

Yamaha Canada Music Ltd.
135 Milner Avenue, Toronto, Ontario,
M1S 3R1, Canada
Tel: +1-416-298-1311

U.S.A.

Yamaha Corporation of America
6600 Orangethorpe Avenue, Buena Park, CA 90620,
U.S.A.
Tel: +1-714-522-9011

CENTRAL & SOUTH AMERICA

MEXICO

Yamaha de México, S.A. de C.V.
Av. Insurgentes Sur 1647 Piso 9, Col. San José
Insurgentes, Delegación Benito Juárez, México,
D.F., C.P. 03900
Tel: +52-55-5804-0600

BRAZIL

Yamaha Musical do Brasil Ltda.
Rua Fidêncio Ramos, 302 – Cj 52 e 54 – Torre B – Vila
Olimpia – CEP 04551-010 – São Paulo/SP, Brazil
Tel: +55-11-3704-1377

ARGENTINA

**Yamaha Music Latin America, S.A.,
Sucursal Argentina**
Olga Cossettini 1553, Piso 4 Norte,
Madero Este-C1107CEK,
Buenos Aires, Argentina
Tel: +54-11-4119-7000

VENEZUELA

Yamaha Musical de Venezuela, C.A.
AV. Manzanares, C.C. Manzanares Plaza,
Piso 4, Oficina 0401, Baruta, Caracas, Venezuela
Tel: +58-212-943-1877

PANAMA AND OTHER LATIN AMERICAN COUNTRIES/ CARIBBEAN COUNTRIES

Yamaha Music Latin America, S.A.
Edif. Torre Banco General, Piso 7, Urbanización
Marbella, Calle 47 y Aquilino de la Guardia,
Ciudad de Panamá, República de Panamá
Tel: +507-269-5311

EUROPE

THE UNITED KINGDOM/IRELAND

Yamaha Music Europe GmbH (UK)
Sherbourne Drive, Tilbrook, Milton Keynes,
MK7 8BL, U.K.
Tel: +44-1908-366700

GERMANY

Yamaha Music Europe GmbH
Siemensstrasse 22-34, 25462 Rellingen, Germany
Tel: +49-4101-303-0

SWITZERLAND/LIECHTENSTEIN

**Yamaha Music Europe GmbH, Rellingen,
Branch Switzerland in Zürich**
Seefeldstrasse 94, 8008 Zürich, Switzerland
Tel: +41-44-3878080

AUSTRIA/BULGARIA

Yamaha Music Europe GmbH Branch Austria
Schleiergasse 20, 1100 Wien, Austria
Tel: +43-1-60203900

CZECH REPUBLIC/HUNGARY/ ROMANIA/SLOVAKIA/SLOVENIA

**Yamaha Music Europe GmbH
Branch Austria**
Schleiergasse 20, 1100 Wien, Austria
Tel: +43-1-60203900

POLAND/LITHUANIA/LATVIA/ESTONIA

Yamaha Music Europe GmbH
Sp.z o.o. Oddział w Polsce
ul. Wrotkowa 14, 02-553 Warsaw, Poland
Tel: +48-22-880-08-88

MALTA

Olimpus Music Ltd.
Valletta Road, Mosta MST9010, Malta
Tel: +356-2133-2093

NETHERLANDS/BELGIUM/ LUXEMBOURG

Yamaha Music Europe Branch Benelux
Clarissenhof 5b, 4133 AB Vianen, The Netherlands
Tel: +31-347-358040

FRANCE

Yamaha Music Europe
7 rue Ambroise Croizat, Zone d'activités de Pariest,
77183 Croissy-Beaubourg, France
Tel: +33-1-6461-4000

ITALY

Yamaha Music Europe GmbH, Branch Italy
Viale Italia 88, 20020, Lainate (Milano), Italy
Tel: +39-02-93577-1

SPAIN/PORTUGAL

**Yamaha Music Europe GmbH Ibérica, Sucursal
en España**
Ctra. de la Coruna km. 17,200, 28231
Las Rozas de Madrid, Spain
Tel: +34-91-639-88-88

GREECE

Philippos Nakas S.A. The Music House
19th klm. Leof. Lavriou 190 02 Peania – Attiki,
Greece
Tel: +30-210-6686168

SWEDEN/FINLAND/ICELAND

**Yamaha Music Europe GmbH Germany filial
Scandinavia**
JA Wettergrensgata 1, 400 43 Göteborg, Sweden
Tel: +46-31-89-34-00

DENMARK

**Yamaha Music Denmark,
Fillial of Yamaha Music Europe GmbH, Tyskland**
Generatorvej 8C, ST. TH., 2860 Søborg, Denmark
Tel: +45-44-92-49-00

NORWAY

**Yamaha Music Europe GmbH Germany -
Norwegian Branch**
Grini Næringspark 1, 1332 Østerås, Norway
Tel: +47-6716-7800

RUSSIA

Yamaha Music (Russia) LLC.
Room 37, entrance 7, bld. 7, Kievskaya street,
Moscow, 121059, Russia
Tel: +7-495-626-5005

OTHER EUROPEAN COUNTRIES

Yamaha Music Europe GmbH
Siemensstrasse 22-34, 25462 Rellingen, Germany
Tel: +49-4101-3030

AFRICA

Yamaha Music Gulf FZE
JAFZA-16, Office 512, P.O.Box 17328,
Jebel Ali FZE, Dubai, UAE
Tel: +971-4-801-1500

MIDDLE EAST

TURKEY

Yamaha Music Europe GmbH
Merkezi Almanya Türkiye İstanbul Şubesi
Maslak Meydanı Sokak, Spring Giz Plaza Bagimsiz
Böl. No:3, Sariyer İstanbul, Turkey
Tel: +90-212-999-8010

CYPRUS

Yamaha Music Europe GmbH
Siemensstrasse 22-34, 25462 Rellingen, Germany
Tel: +49-4101-303-0

OTHER COUNTRIES

Yamaha Music Gulf FZE
JAFZA-16, Office 512, P.O.Box 17328,
Jebel Ali FZE, Dubai, UAE
Tel: +971-4-801-1500

ASIA

THE PEOPLE'S REPUBLIC OF CHINA

Yamaha Music & Electronics (China) Co.,Ltd.
2F, Yunhedasha, 1818 Xinzha-lu, Jingan-qu,
Shanghai, China
Tel: +86-400-051-7700

INDIA

Yamaha Music India Private Limited
Spazedge Building, Ground Floor, Tower A,
Sector-47, Gurgaon- Sohna Road, Gurgaon-122002,
Haryana, India
Tel: +91-124-485-3300

INDONESIA

PT. Yamaha Musik Indonesia (Distributor)
Yamaha Music Center Bldg. Jalan Jend. Gatot
Subroto Kav. 4, Jakarta 12930, Indonesia
Tel: +62-21-520-2577

KOREA

Yamaha Music Korea Ltd.
8F, Dongsung Bldg. 21, Teheran-ro 87-gil,
Gangnam-gu, Seoul, 135-880, Korea
Tel: +82-2-3467-3300

MALAYSIA

Yamaha Music (Malaysia) Sdn. Bhd.
No.8, Jalan Perbandaran, Kelana Jaya, 47301
Petaling Jaya, Selangor, Malaysia
Tel: +60-3-78030900

SINGAPORE

Yamaha Music (Asia) Private Limited
Block 202 Hougang Street 21, #02-00,
Singapore 530202, Singapore
Tel: +65-6740-9200

TAIWAN

Yamaha Music & Electronics Taiwan Co.,Ltd.
2F, No.1, Yuandong Rd. Banqiao Dist.
New Taipei City 22063, Taiwan, R.O.C.
Tel: +886-2-7741-8888

THAILAND

Siam Music Yamaha Co., Ltd.
3, 4, 15, 16th Fl., Siam Motors Building,
891/1 Rama 1 Road, Wangmai,
Pathumwan, Bangkok 10330, Thailand
Tel: +66-2215-2622

VIETNAM

Yamaha Music Vietnam Company Limited
15th Floor, Nam A Bank Tower, 201-203 Cach
Mang Thang Tam St., Ward 4, Dist.3,
Ho Chi Minh City, Vietnam
Tel: +84-8-3818-1122

OTHER ASIAN COUNTRIES

**Yamaha Corporation
Sales & Marketing Division**
10-1, Nakazawa-cho, Naka-ku, Hamamatsu,
Japan 430-8650
Tel: +81-53-460-2312

OCEANIA

AUSTRALIA

Yamaha Music Australia Pty. Ltd.
Level 1, 99 Queensbridge Street, Southbank,
VIC 3006, Australia
Tel: +61-3-9693-5111

COUNTRIES AND TRUST

TERRITORIES IN PACIFIC OCEAN

**Yamaha Corporation
Sales & Marketing Division**
10-1, Nakazawa-cho, Naka-ku, Hamamatsu,
Japan 430-8650
Tel: +81-53-460-2312

Yamaha Pro Audio global website
<http://www.yamahaproaudio.com/>

Yamaha Downloads
<http://download.yamaha.com/>

Manual Development Department
© 2016 Yamaha Corporation

Published 05/2016 MWZC-B0
Printed in Indonesia

ZV05470