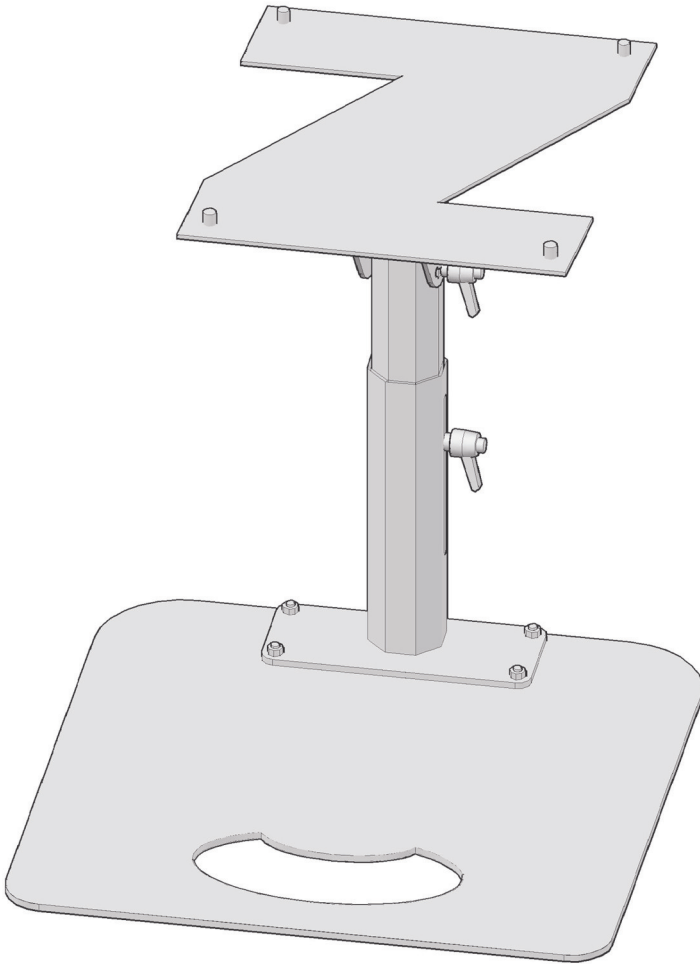



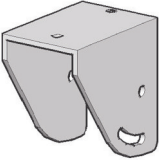


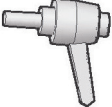


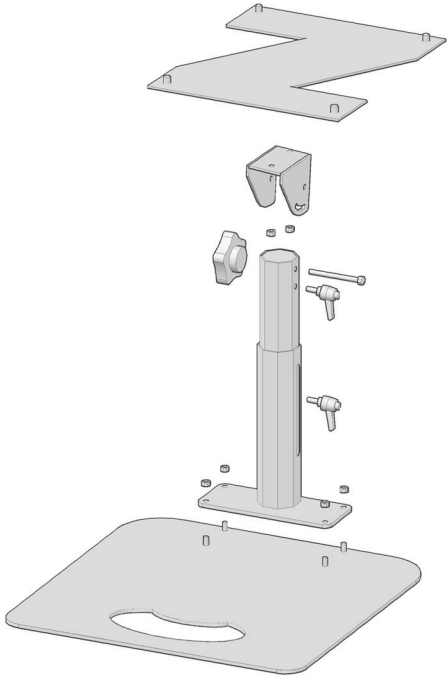
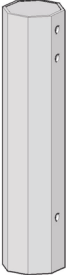
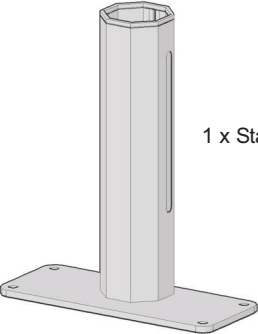


# Aufbauanleitung | User manual

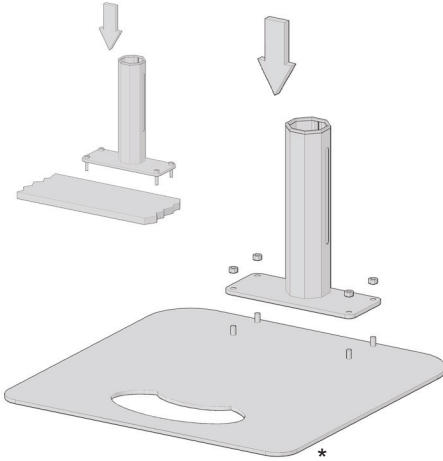


**pro stand**

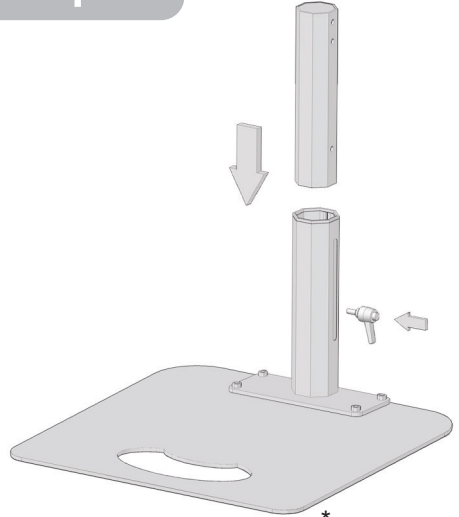
# Package content | Packungsinhalt

 6 x Nut   Mutter	 1 x Mounting Head Montierkopf
 10 x Washer Metal   Unterlegscheibe Metal	
 10 x Washer Ruber   Unterlegscheibe Gummi	
 2 x Lock   Arretierungsschraube	 1 x Starlock   Sternmutter
 1 x Bolt   Schraube	 Exploded drawing   Explosionszeichnung
 1 x Telescope   Teleskop	
 1 x Stand   Standfuss	

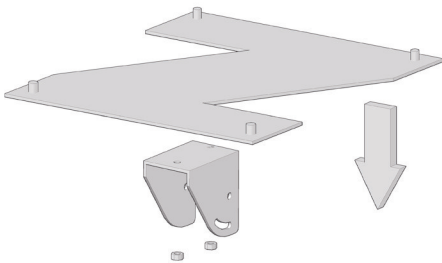
### Step 1



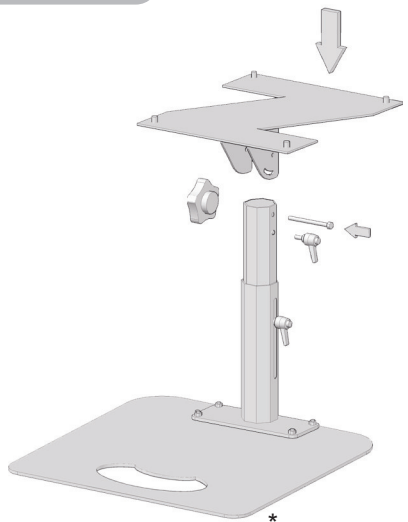
### Step 2



### Step 3



### Step 4



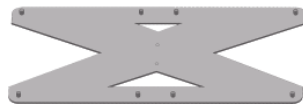
# Zomo stands - the best solution for your dj rig



P-1000/2 for 2 x CDJ-1000



P-1000 for 1 x CDJ-1000



P-800/2 for 2 x CDJ-800



P-800 for 1 x CDJ-800



P-200/2 for 2 x CDJ-200/100



P-200 for 1 x CDJ-200/100



D-1000/2 for 2 x DN-S1000



D-1000 for 1 x DNS-1000



D-3500 for 1 x DN-S35000



CDX for 1 x CDX



CDX/2 for 2 x CDX



AX/2 for 2 x Axis



DZ for SLDZ-1200



UNI-L for 1 x Laptop